

SUBFLOOR DECKING
NOT SHOWN FOR CLARITY

2x STUD WALL
@ CL DBL JOISTS

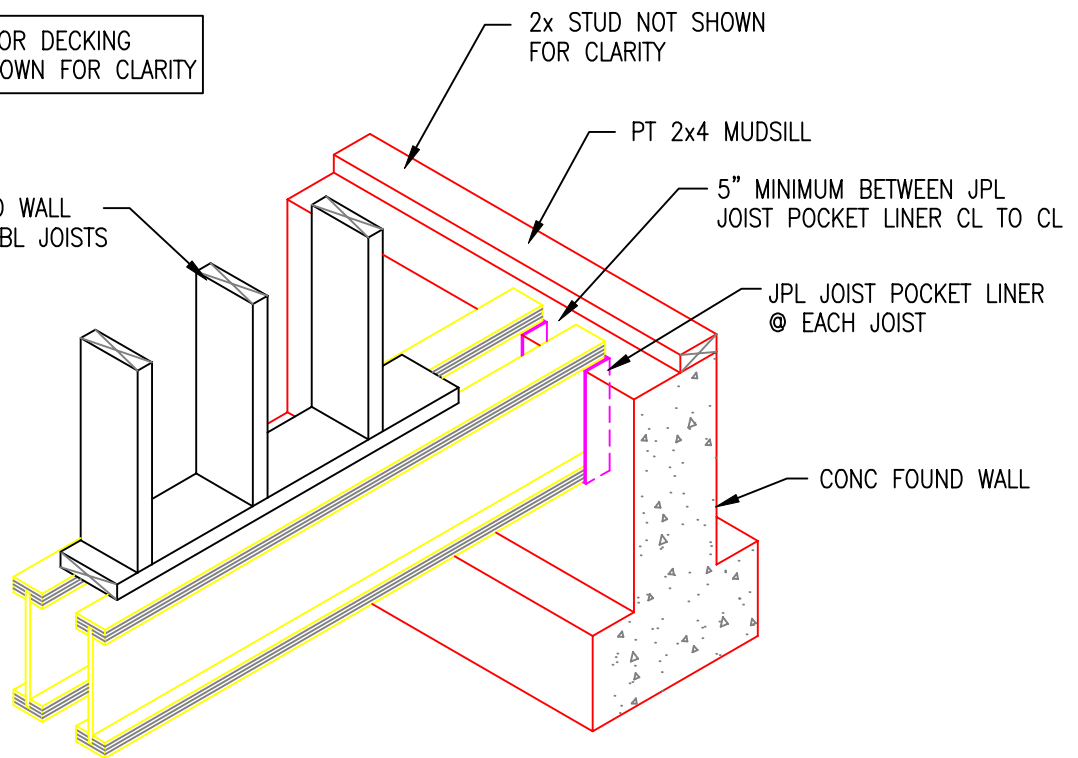
2x STUD NOT SHOWN
FOR CLARITY

PT 2x4 MUDSILL

5" MINIMUM BETWEEN JPL
JOIST POCKET LINER CL TO CL

JPL JOIST POCKET LINER
@ EACH JOIST

CONC FOUND WALL



(T12) TYPICAL ISOMETRIC DETAIL @ DBL I JOIST UNDER WALL

SCALE: 3/4"=1'-0"

T12.DWG